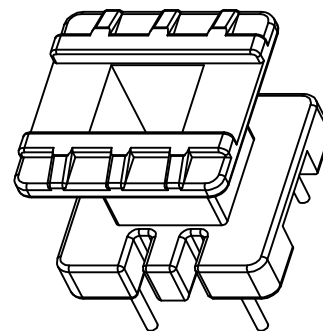
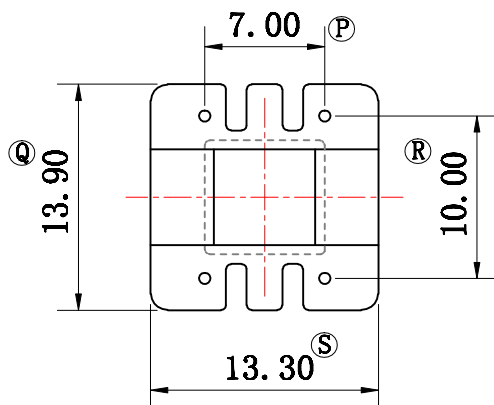
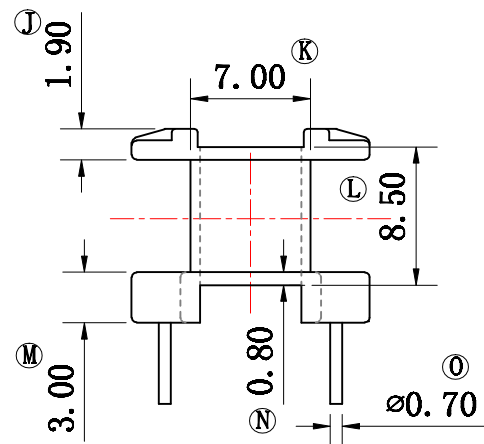
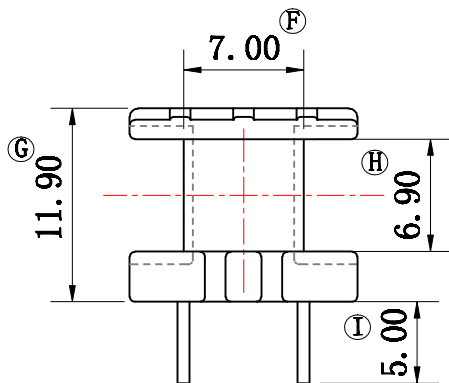
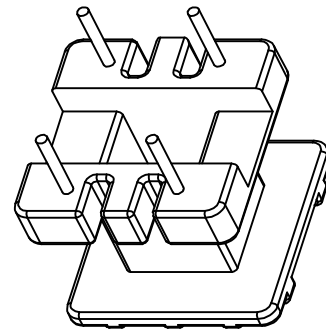
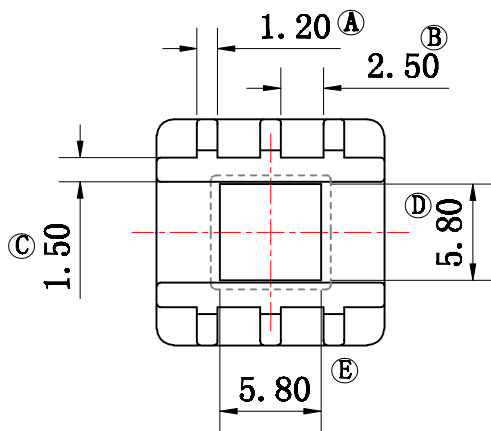


FWB1921-J



REV	REVISION RECORD	DATE	REV	REVISION RECORD	DATE
A			C		
B			D		
NAME	EE19.5 2+2P	MATERIAL	PHENOLIC	SCALE	ANGLE $\pm 1^\circ$
DRAWING NO.	FWB1921-J	PIN MATERIAL	CP WIRE	UNIT	m/m REV A
TOLERANCE OF PIN PITCH	± 0.20		HAINING FERRIWO ELECTRONICS CO.,LTD.		
PIN TENSION LOAD	kg MN	UL REC: 94V-0	TEL: +86-573-87088701 FAX: +86-573-87081130		
TOLERANCE:	0<L≤4: ± 0.2 4<L≤16: ± 0.3 16<L≤63: ± 0.4		Web: www.ferriwo.com Email: sales@ferriwo.com		